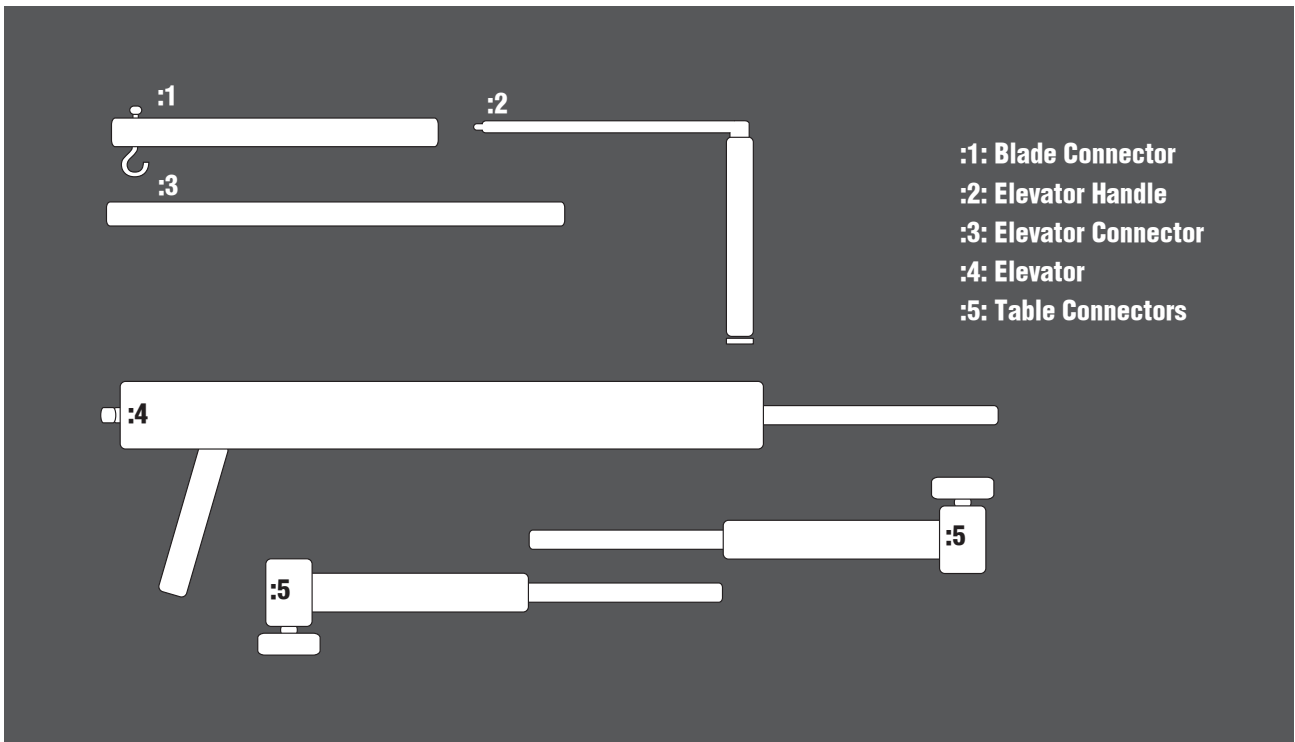
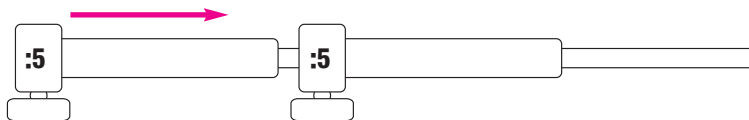


Chung's Retractor 201 User Manual

Chung's Retractor 201 User Manual

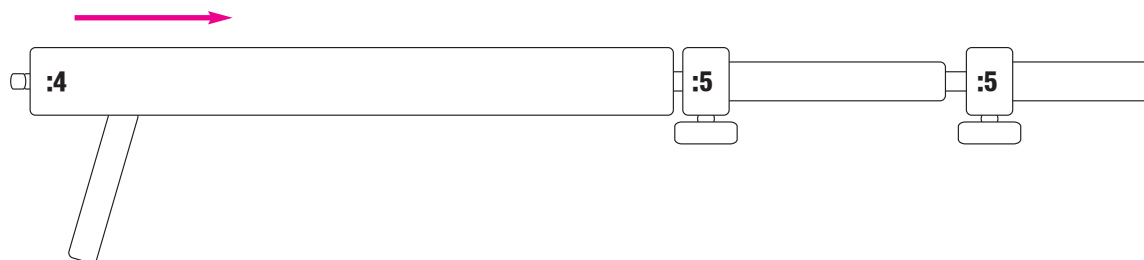


1. Join one Table Connector to another one and tighten up by using the screw.



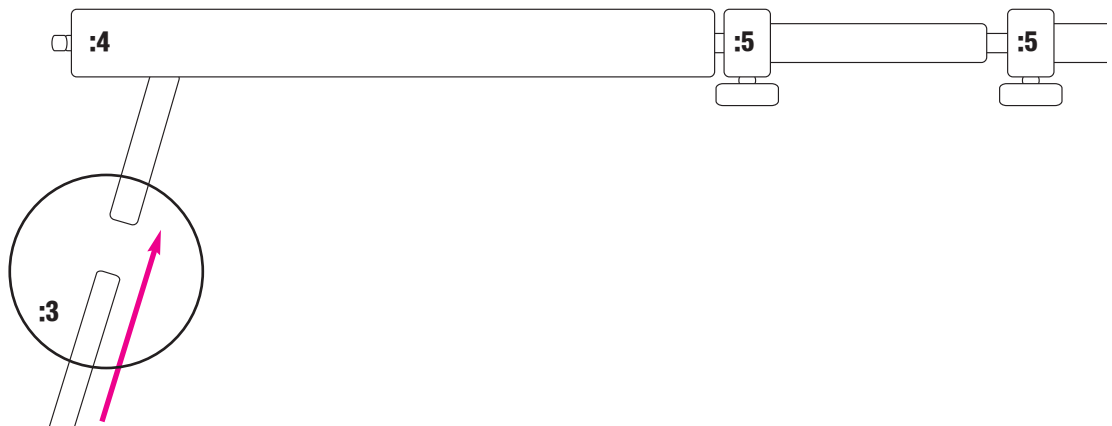
Caution : You must put entire length of the shaft into the other Table Connector.
If not, it may cause bent of the shaft in use when excessive force is applied.

2. Join the Elevator into the Table Connector and tighten up.

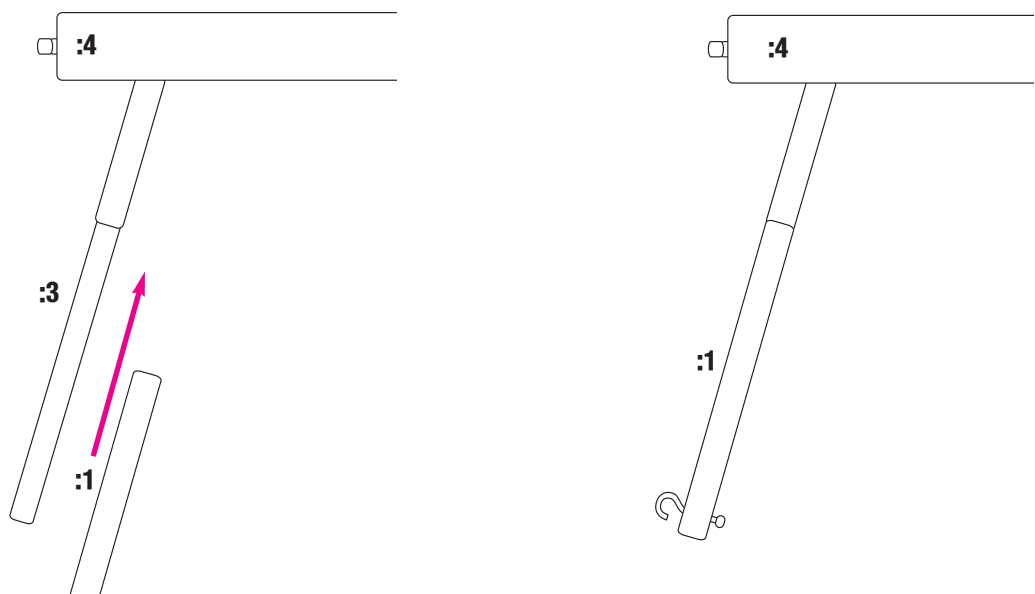


Caution : You must put entire length of the Elevator shaft into the Table Connector.
If not, it may cause bent of the shaft in use when excessive force is applied.

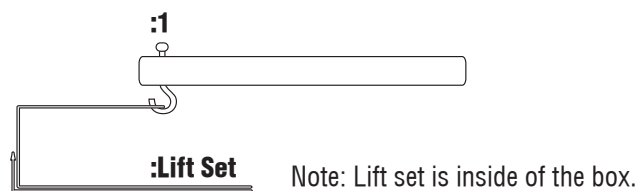
3. Join the Elevator Connector into the Elevator.



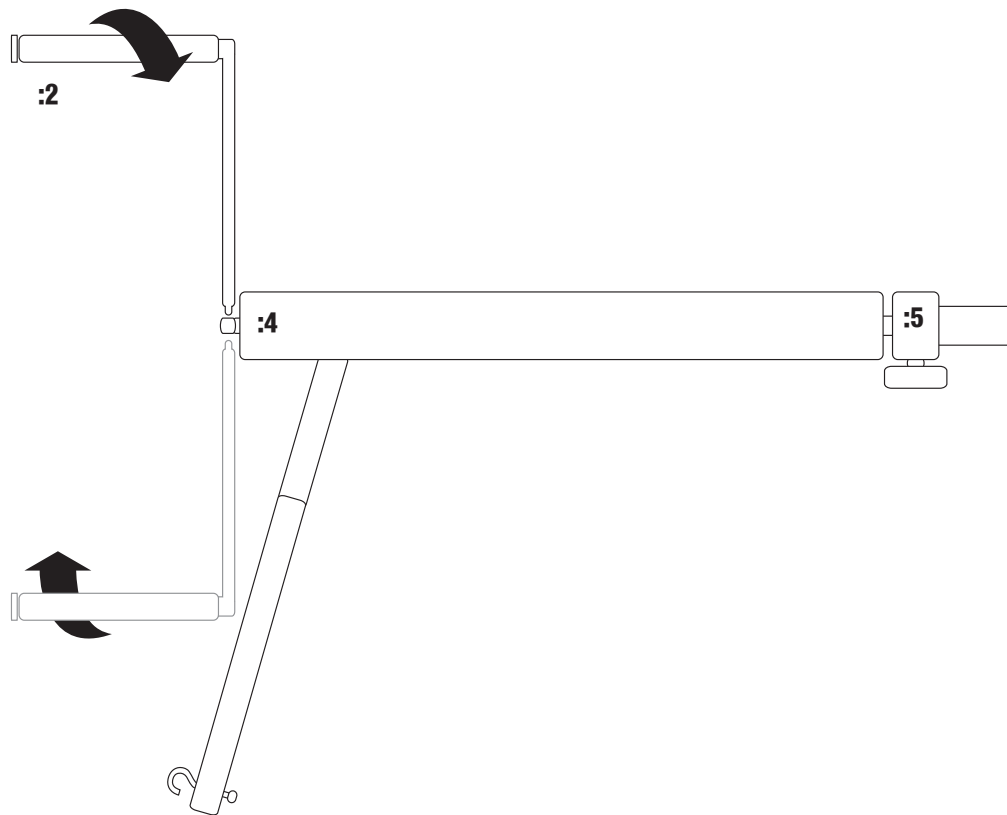
4. Join the Blade Connector into the Elevator Connector.



5. Install an appropriate Lift set



6. Using the Elevator Handle, adjust height as needed.



7. Sterilization Parameters

Method : Autoclave

Cycle: Pre-vacuum

Temperature: 270°–272°F (132°–134°C)

Minimum Exposure Time: 4min

Average Dry Time: 10min

WARNING: The use of “flash” sterilization is not recommended.

WARNING: Do not sterilize at temperatures over 285°F or 140°C

BR HOLDINGS

3F 5–29, Hyochang–dong, Yongsan–ku, Seoul, Korea

fax. +82 –2 –719 –1107

Email: clare@br-holdings.com